

Technical Glass, Inc.



Custom Scientific Glassblowing

Technical Glass, Inc.
231 Airport Blvd Unit I
Aurora, CO 80011
(303) 367-8619 - (303) 367-8620 FAX
www.techglass.com
e-mail: rbihler@techglass.com

Table of Contents

ICP Products

Repair Service	3
ARL	4
Baird ICP Products	5
Finnigan Torch	5
HP MS Torch.....	6
JY ICP Products.....	6
Leeman ICP Products	7
Plasma Therm ICP Products	7
Perkin Elmer ICP Products	8
Thermo Jarrell-Ash ICP Products	9
Varian ICP Products	10
VG ICP Products.....	10

Standard Labware

Electrolytic Enrichment Cells	12
Standard Laboratory Glassware	13,14

Custom Products

Custom Glassware.....	15
Fabrication and Design	15
Bose-Einstein Condensation Cells	16,17
Optical Absorption Cells	18

Quality Assurance

We warrant our products and services 100%
If, for any reason, you are not satisfied with our workmanship, we will refund your payment.

ICP Products And Repair Service

ICP

All of the ICP glassware listed in our catalog are direct OEM replacement products. Our skilled glassblowers manufacture ICP products to exacting industry tolerances and uniformity using only the highest quality quartz and borosilicate glass available.

Repairs

We repair damaged glassware, including ICP torches, for much less than the cost of new replacement items. Our repairs carry the same warranty as our new products.



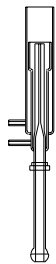
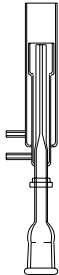

Warranty

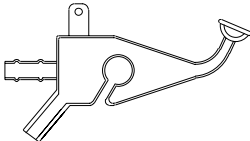
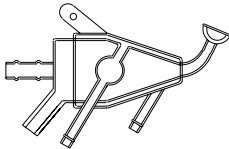
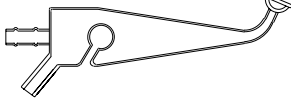
We warrant our products and services 100%. If, for any reason, you are not satisfied with our workmanship, we will refund your payment.

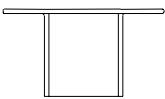
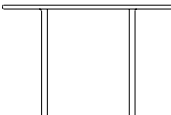
New Products

This catalog contains our most frequently requested items and services. At Technical Glass, Inc. it is our goal to continuously add new products to better serve our customers in the scientific community. If the product or information that you require is not listed in our catalog, please call our toll-free number **(800) 249-0995** for more information.

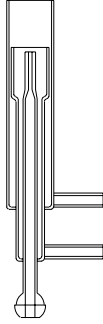
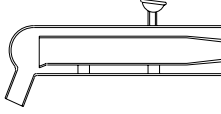
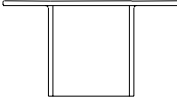
ARL ICP Products

			
Part Number - Description	TG-AR01 Standard Torch	TG-AR01-HF Standard Torch HF	TG-AR02 Low-Flow Torch
Manufacturer Number	139009-0003	173131	173463
Equipment	3510,3520,3560- (Older Models)		3510, 3520, 3560 (New Models), 3410, 3580, Accuris

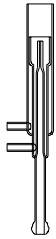
			
Part Number - Description	TG-AR10 Low-Flow Spray Chamber	TG-AR10W Low-Flow Spray Chamber Water Jacketed	TG-AR12 Standard Spray Chamber
Manufacturer Number	173142-0002	173142-0004	173142-0001
Equipment	3510, 3520, 3560 (New Models), 3410, 3580, Accuris		3510,3520,3560 (Older Models)

		
Part Number - Description	TG-AR20 Low-Flow Bonnet	TG-AR22 Standard Bonnet
Manufacturer Number	173252	-
Equipment	3510, 3520, 3560 (New Models), 3410, 3580, Accuris	3510, 3520, 3560 (Older Models)

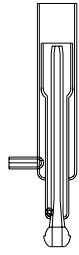
Baird ICP Products

			
Part Number - Description	TG-BA01 Standard Torch	TG-BA10 Spray Chamber	TG-BA20 Quartz Bonnet
Manufacturer Number	69972	025492	025491
Equipment	PSX-(Older)	2000, 2070, PST, PSX, PSQ	

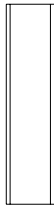
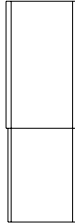
Finnigan Torch

	
Part Number - Description	TG-FI01 Finnigan Element Torch
Manufacturer Number	1042870
Equipment	-

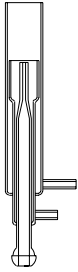
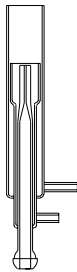


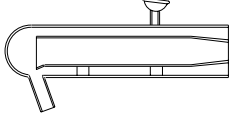
HP MS Torch

	
Part Number - Description	TG-HP01 HP MS Torch
Manufacturer Number	G1820-65028
Equipment	HP4500

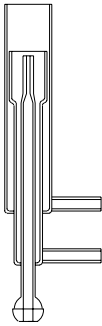
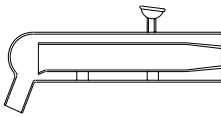
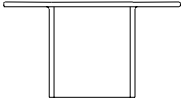
JY ICP Products

		
Part Number - Description	TG-JY01 Demountable Torch Intermediary Tube	TG-JY02 Demountable Torch External Tube
Manufacturer Number	JY31023723	JY31023722
Equipment	JY24	

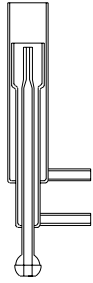
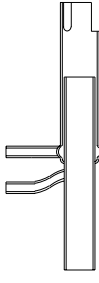
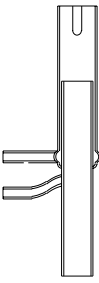
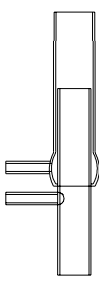
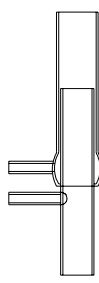
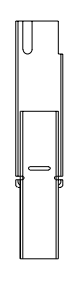
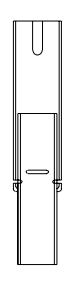
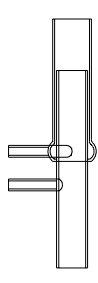
Leeman ICP Products

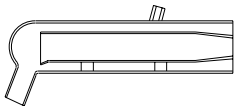
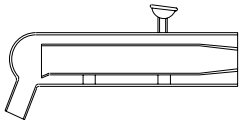
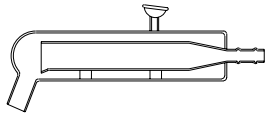
					
Part Number - Description	TG-LE01-A Aqueous Torch	TG-LE01-O Oils Torch	TG-LE02-A Aqueous Torch	TG-LE02-O Oils Torch	TG-LE10 Spray Chamber
Manufacturer Number	120-3748	120-3749	-	318-0016	120-3751
Equipment	PS Series				

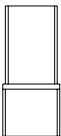

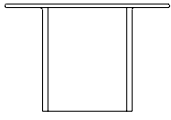
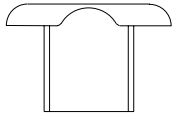
Plasma Therm ICP Products

			
Part Number - Description	TG-PT01 Standard Torch	TG-PT10 Spray Chamber	TG-PT20 Quartz Bonnet
Manufacturer Number	5035	5037	5038
Equipment	ICP-2500		

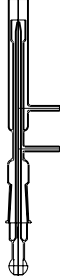

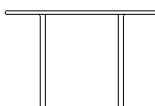
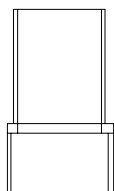
Perkin Elmer ICP Products


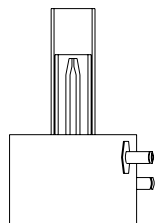
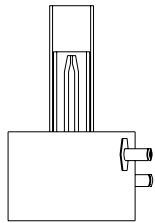
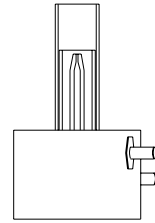
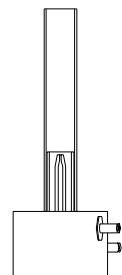
								
Part Number - Description	TG-PE01 Standard Torch	TG-PE02 Torch Body Type II Three Slot	TG-PE03 Torch Body Type II Single Slot	TG-PE03DV Torch Body DV Double Slot	TG-PE03XL Torch Body XL No Slots	TG-PE04 Torch Body Demountable	TG-PE05 Torch Body Demountable Single Slot	TG-PE06 Torch Body MS
Manufacturer Number	0047-2048	N058-0528	N069-0568	N069-0812	N069-5379	N058-0233	N058-0376	N812-2006
Equipment	6500(XR), 5000, 5500, 5500B, 6000	Plasma 1000, 2000, II, 40, 400, 6500(XR)	Optima 3000	Optima 3000 DV	Optima 3000 XL	5500B, 6500(XR)	Plasma II, 40	Elan 5000/6000



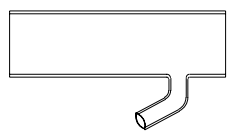
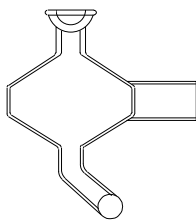
			
Part Number - Description	TG-PE10 Spray Chamber Type II	TG-PE11 Spray Chamber Ball Joint	TG-PE12 Spray Chamber Ball Joint, Concentric Nebulizer
Manufacturer Number	-	0047-2047	-
Equipment	1000, 2000, II, 40, 400, 6500(XR)	5000, 5500, 5500B, 6000, 6500(XR)	

				
Part Number - Description	TG-PE20 Torch Extension	TG-PE22 Purge Window	TG-PE24 Quartz Bonnet	TG-PE25 Quartz Bonnet Rolled Edge
Manufacturer Number	0046-3052	N058-1497	0047-2033	N058-2235
Equipment	-	-	6500(XR), 5000, 5500, 5500B, 6000	1000, 2000, II



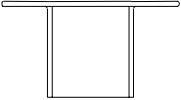
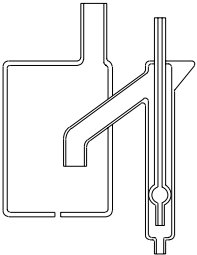
Thermo Jarrell-Ash ICP Products

				
Part Number - Description	TG-JA01 Standard Two Piece Torch	TG-JA10 Spray Chamber	TG-JA20 Quartz Bonnet	TG-JA22 Quartz Extension
Manufacturer Number	19040054	19040065	19040075	-
Equipment	975, 9000, ICAP 61			

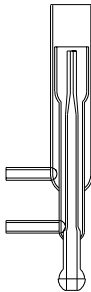
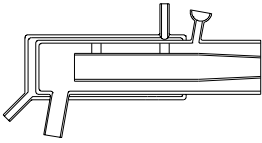
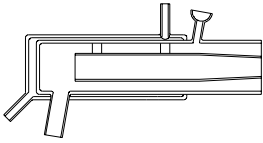
				
Part Number - Description	TG-TJ10 High/Low Flow, Aqueous Torch	TG-TJ10-HF High Flow, Aqueous Torch	TG-TJ10-O High Flow, Organics Torch	TG-TJ15 Lab Test Torch
Manufacturer Number	126432-02	126432-01	125124-01	126440-03
Equipment	ICAP 61E, 61SS; Atomscan 16, 25; Polyscan 61E, Iris, POEMS			Tracescan, Iris AP

				
Part Number - Description	TG-TJ30-LF Injector Tube Quartz, Aqueous	TG-TJ30-HF Injector Tube Quartz, Organics	TG-TJ20 Spray Chamber Open Ended	TG-TJ25 Spray Chamber Cyclonic
Manufacturer Number	125407-00	125407-01	130089-00	134620-00
Equipment	ICAP 61E, 61SS; Atomscan 16, 25; Polyscan 61E, Iris, POEMS			Tracescan, Iris AP

Varian ICP Products

				
Part Number - Description	TG-VA01 Standard Torch	TG-VA02 Torch - MS	TG-VA25 Quartz Bonnet	TG-VA40 Gas/Liquid Separator
Manufacturer Number	20-100696-90	20-100783-00	20-100707-90	99-100402-00
Equipment	Liberty 100, 110, 200, 220			VGA-76

VG ICP Products

			
Part Number - Description	TG-VG01 Torch - MS	TG-VG10 Spray Chamber Water Jacketed, Pyrex	TG-VG11 Spray Chamber Water Jacketed, Quartz
Manufacturer Number	3201192	-	-
Equipment	Plasma Quad		